



# 40 SERIES BALL VALVES

## 41G, 42G, 43G

8250 Boyle Parkway Twinsburg, Ohio U.S.A. 44087 www.mySSPusa.com 1.330.425.4250



### HOW TO ORDER

**A B C D E F G**

**43G X D4 4PM -316-NH -XP97**

#### **A** Body/Orifice

41G – 0.093 or 0.052 in.  
42G– 0.125 in.  
43G – 0.187 in.

#### **B** Body Type

Blank - 2 way  
A – Angle  
X - 3-way

#### **C** Inlet Types

(See Dimension Tables)

#### **D** Outlet

(See Dimension Tables)  
None – Same as inlet

#### **E** Body Material

-316 – 316 Stainless Steel  
-B- Brass

#### **F** Handles

-Blank – Black  
-GR- Green  
-RD – Red  
-BL – Blue  
-YL – Yellow  
-OG – Orange  
NH – No handle

#### **G** Special Cleaning

-XP97 - No Lube  
-XP98 – Oxygen Compatible Lube

Component	Material	ASTM Specification
1. Handle	Nylon with SS insert	
2. Set Screw	S17400	A564
3. Retaining Clip	302 SS	
4. Packing Bolt	Powdered Metal 316 SS	
5. Springs	S17700	A693
6. Gland	316 SS	
7.* Ball Stem	316 SS	A276
8.* Packing	Modified PTFE	D1710
9.* Side Rings	Powdered Metal 316 SS	B783
10.* Side Discs	Powdered Metal 316 SS	B783
11. Panel Nut	Powdered Metal 316 SS	B783
12.* Body	316 SS	A479/B164
Wetted Lubricant	Silicone-based	

\* Wetted Components

### SSP ADVANTAGES

#### Live Loaded Packing

- Compensates for Temperature Variations
- Compensates for seat wear
- Reduces need for packing adjustment

#### Encapsulated One Piece Packing

- Eliminates dead space
- Modified PTFE for extended temperature range

#### Blowout Proof Stem

#### Remote Sensor Pockets in handle

#### Forged Body

### SPECIFICATIONS

#### Body Material

- 316 Stainless Steel, Brass

#### Operating Pressure

- Up to 3000 psi (206 bar)

#### Temperature Range

- -65° to 300°F (-53 to 148°C)

#### 2-way, 3-way and Angle Patterns

#### Variety of end connections

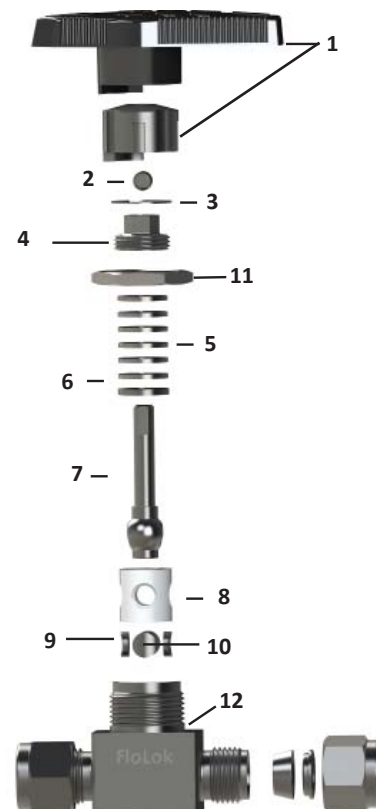
### OPTIONS

#### Special cleaning

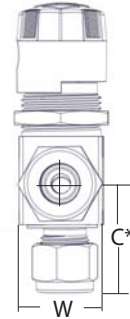
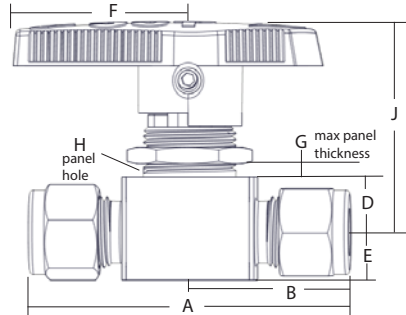
#### No lube

#### Colored Handles

- red, green, orange, blue, yellow



# TWO WAY BALL VALVES

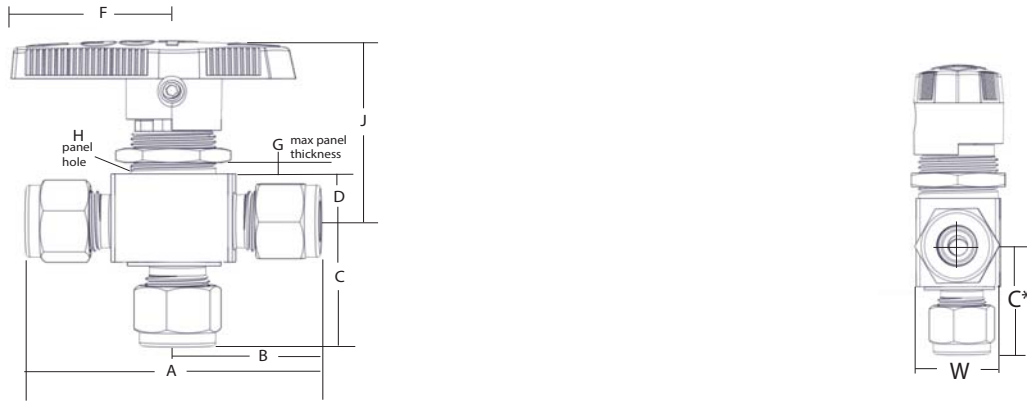


\*\*Angle Pattern Only

End Connection			Basic Ordering Number	Orifice		Dimensions																			
Type	Inlet Size	Outlet Size		In.	mm	A		B		C**		D		E		F		G		H		J		W	
						In.	mm	In.	mm	In.	mm	In.	mm	In.	mm	In.	mm	In.	mm	In.	mm	In.	mm	In.	mm
Fractional Tube Fitting*	1/16	1/16	41GD1	0.05	1.32	1.68	42.7	0.84	21.3	-	-	0.34	8.6	0.28	7.1	1.12	28.4	1/4	6.4	19/32	15.1	1.36	34.5	0.58	14.7
	1/8	1/8	41GD2	0.09	2.36	2.01	51.1	1.01	25.7	0.97	24.6	0.34	8.6	0.28	7.1	1.12	28.4	1/4	6.4	19/32	15.1	1.36	34.5	0.58	14.7
	1/4	1/4	42GD4	0.13	3.18	2.21	56.1	1.10	27.9	1.07	27.2	0.34	8.6	0.28	7.1	1.12	28.4	1/4	6.4	19/32	15.1	1.36	34.5	0.58	14.7
	1/4	1/4	43GD4	0.19	4.75	2.39	60.7	1.20	30.5	1.17	29.7	0.44	11.2	0.38	9.7	1.53	38.9	3/16	4.8	25/32	19.8	1.52	38.6	0.78	19.8
	3/8	3/8	43GD6	0.19	4.75	2.58	65.5	1.29	32.8	1.29	32.8	0.44	11.2	0.38	9.7	1.53	38.9	3/16	4.8	25/32	19.8	1.52	38.6	0.78	19.8
Metric Tube Fitting	3 mm	3 mm	41GDM3	0.09	2.36	2.01	51.1	1.01	25.7	0.97	24.6	0.34	8.6	0.28	7.1	1.12	28.4	1/4	6.4	19/32	15.1	1.36	34.5	0.58	14.7
	6 mm	6 mm	42GDM6	0.13	3.18	2.21	56.1	1.10	27.9	1.07	27.2	0.34	8.6	0.28	7.1	1.12	28.4	1/4	6.4	19/32	15.1	1.36	34.5	0.52	14.7
	6 mm	6 mm	43GDM6	0.19	4.75	2.39	60.7	1.20	30.5	1.17	29.7	0.44	11.2	0.38	9.7	1.53	38.9	3/16	4.8	25/32	19.8	1.52	38.6	0.78	19.8
	8 mm	8 mm	43GDM8	0.19	4.75	2.46	62.5	1.23	31.2	1.20	30.5	0.44	11.2	0.38	9.7	1.53	38.9	3/16	4.8	25/32	19.8	1.52	38.6	0.78	19.8
Male NPT	1/4	1/4	43G4PM	0.19	4.75	2.00	50.8	1.00	25.4	1.03	26.2	0.44	11.2	0.38	9.7	1.53	38.9	3/16	4.8	25/32	19.8	1.52	38.6	0.78	19.8
Female NPT	1/8	1/8	42G2PF	0.13	3.18	1.63	41.4	0.81	20.6	0.81	20.6	0.34	8.6	0.28	7.1	1.12	28.4	1/4	6.4	19/32	15.1	1.36	34.5	0.58	14.7
	1/8	1/8	43G2PF	0.19	4.75	2.00	50.8	1.00	25.4	1.00	25.4	0.44	11.2	0.38	9.7	1.53	38.9	3/16	4.8	25/32	19.8	1.52	38.6	0.78	19.8
	1/4	1/4	43G4PF	0.19	4.75	2.06	52.3	1.03	26.2	1.03	26.2	0.44	11.2	0.38	9.7	1.53	38.9	3/16	4.8	25/32	19.8	1.52	38.6	0.78	19.8
Male NPT to Fractional Tube Fitting	1/4	1/4	43G4PMD4	0.19	4.75	2.20	55.9	1.20	30.5	1.03	26.2	0.44	11.2	0.38	9.7	1.53	38.9	3/16	4.8	25/32	19.8	1.52	38.6	0.78	19.8
Female ISO Tapered	1/4	1/4	43G4FRT	0.19	4.75	2.06	52.3	1.03	26.2	1.03	26.2	0.44	11.2	0.38	9.7	1.53	38.9	3/16	4.8	25/32	19.8	1.52	38.6	0.78	19.8

\*For Unilok replace the (D) in the basic ordering number with (U), For Griplok replace the (D) with (G).

# THREE WAY BALL VALVES



End Connection			Basic Ordering Number	Orifice		Dimensions																	
Type	Inlet Size	Outlet Size		In.	mm	A		B		C		D		F		G		H		J		W	
						In.	mm	In.	mm	In.	mm	In.	mm	In.	mm	In.	mm	In.	mm	In.	mm	In.	mm
Fractional Tube Fitting*	1/16	1/16	41GXD1	0.05	1.32	1.68	42.7	0.84	21.3	0.81	20.6	0.34	8.6	1.13	28.7	1/4	6.4	19/32	15.1	1.36	34.5	0.58	14.7
	1/8	1/8	43GXD2	0.09	2.36	2.01	51.1	1.01	25.7	0.97	24.6	0.34	8.6	1.13	28.7	1/4	6.4	19/32	15.1	1.36	34.5	0.58	14.7
	1/4	1/4	42GXD4	0.13	3.18	2.21	56.1	1.10	27.9	1.07	27.2	0.34	8.6	1.13	28.7	1/4	6.4	19/32	15.1	1.36	34.5	0.58	14.7
	1/4	1/4	43GXD4	0.19	4.75	2.39	60.7	1.2	30.5	1.17	29.7	0.44	11.2	1.53	38.9	3/16	4.8	25/32	19.8	1.52	38.6	0.78	19.8
Metric Tube Fitting	6 mm	6 mm	42GXDM6	0.13	3.18	2.21	56.1	1.10	27.9	1.07	27.2	0.34	8.6	1.13	28.7	1/4	6.4	19/32	15.1	1.36	34.5	0.52	14.7
	6 mm	6 mm	43GXDM6	0.19	4.75	2.39	60.7	1.2	30.5	1.17	29.7	0.44	11.2	1.53	38.9	3/16	4.8	25/32	19.8	1.52	38.6	0.78	19.8
	8 mm	8 mm	43GXDM8	0.19	4.75	2.46	62.5	1.23	31.2	1.2	30.5	0.44	11.2	1.53	38.9	3/16	4.8	25/32	19.8	1.52	38.6	0.78	19.8
Female NPT	1/8	1/8	42GX2PF	0.13	3.18	1.63	41.4	0.81	20.6	0.81	20.6	0.34	8.6	1.13	28.7	1/4	6.4	19/32	15.1	1.36	34.5	0.58	14.7
Female NPT	1/4	1/4	43GX4PF	0.19	4.75	2.06	52.3	1.03	26.2	1.03	26.2	0.44	11.2	1.53	38.9	3/16	4.8	25/32	19.8	1.52	38.6	0.78	19.8
Male NPT to Fractional Tube Fitting	1/4	1/4	43G4PMD4	0.19	4.75	2.39	60.7	1.2	30.5	1.03	26.2	0.44	11.2	1.53	38.9	3/16	4.8	25/32	19.8	1.52	38.6	0.78	19.8
Female ISO Tapered	1/4	1/4	43G4FRT	0.19	4.75	2.06	52.3	1.03	26.2	1.03	26.2	0.44	11.2	1.53	38.9	3/16	4.8	25/32	19.8	1.52	38.6	0.78	19.8

\*For Unilok replace the (D) in the basic ordering number with (U), For Griplok replace the (D) with (G).



Please consider total system design considerations when selecting products to ensure safe, trouble-free performance. Function, material compatibility, adequate ratings, proper installation, operation, and maintenance are the responsibilities of the system designer and user.

Duolok®, Unilok®, Griplok®, TruFit® and FloLok® are registered trademarks of SSP.  
Visit [www.mysspusa.com](http://www.mysspusa.com) for more information.

SSP40BV-00-13A