

## FTN SERIES FLOAT & THERMOSTATIC STEAM TRAPS

Pressures To 125 PSIG (8.6 barg)  
Temperatures to 450°F (232°C)



**Universal Four-port Design** — Four possible hookup combinations of the “H” pattern body and piping dimensions similar to other major manufacturers allow maximum installation flexibility for easy replacement of other traps. Inlet and outlet taps on larger sized traps located in the cover to permit larger capacities.

**All Stainless Steel Internal Components** — Hardened valves and seats. Extra long life and dependable service. Resists water hammer. Protects against erosion and corrosion.

**Balanced Pressure Thermostatic Element** — allows venting of non-condensibles while operating at design pressure.

**Rugged Welded Stainless Steel Element** — Increases service life.

**Wide Selection of Differential Pressures** — Sizes 3/4" to 2" available with 15, 30, 75 and 125 psig differential pressures.

**Air Line Water Removal** — Special configuration FTNA optimized for compressed air service.

**Repairable In-line** — Can be serviced without disturbing system piping.

### MODELS

- **FTN-15**—Steam pressures to 15 PSIG
- **FTN-30**—Steam pressures to 30 PSIG
- **FTN-75**—Steam pressures to 75 PSIG
- **FTN-125**—Steam pressures to 125 PSIG
- **FTNA-75**—Air pressures to 75 PSIG
- **FTNA-125**—Air pressures to 125 PSIG

### APPLICATIONS

- Unit Heaters & other Space Heating Equipment
- Heat Exchangers/Reboilers
- Steam Heating Coils
- Steam Main Drips
- Air Compressor Receivers
- Air Line Drips
- Air Powered Process Equipment

### OPTIONS *See page 9*

- Repair Kits
- Vacuum Breaker

Canadian Registration # OE0'591.9

### OPERATION

Air entering trap is immediately discharged through the high capacity integral air vent. The thermostatic vent will close just prior to saturation temperature. The balanced design will allow venting of non-condensibles that collect in the float chamber when operating at design pressure. When steam enters the trap, the thermostatic air vent

closes to prevent steam loss. When steam gives up its latent heat, it becomes condensate. This “condensate” enters the trap and causes the stainless steel ball float to rise. Raising of the float opens the discharge valve, allowing condensate to be continuously discharged as it enters the trap. The condensate level in the trap body is maintained above the discharge seat, providing a positive seal against the loss of steam.

*Installation Tip:* Always install STV Test & Block Valve as part of trap station  
SEE PAGE 120

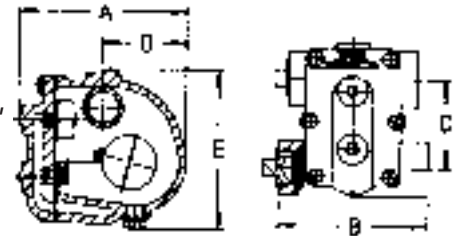
*Installation Tip:* Add Uniflex Pipe Coupling for ease of maintenance  
SEE PAGE 102

# FTN SERIES FLOAT & THERMOSTATIC STEAM TRAPS

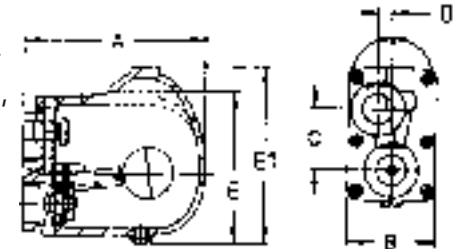
## SPECIFICATION

Steam trap shall be of float and thermostatic design. Float shall actuate the valve via a hinged lever and linkage. Air vent shall be of balanced pressure design with stainless steel welded encapsulated bellows capable of discharging air and noncondensable gases continuously within 15°F of saturated temperature. Traps through 1-1/4" shall employ "H" pattern connections to accommodate multiple piping configurations. Trap shall be cast iron bodied suitable for pressures to 125 psi and available in 3/4" through 2" NPT.

3/4", 1" - All  
1 1/4" - FTN-15,  
FTN-30



1 1/2", 2" - All \*  
1 1/4" - FTN-75,  
FTN-125,  
FTNA-75\*,  
FTNA-125\*



\*1/8" NPT tap at top boss for balancing line.

## MAXIMUM OPERATING CONDITIONS

PMO: Max. Operating Pressure

ORIFICE	PMO
15	15 psig (1.03 barg)
30	30 psig (2.07 barg)
75	75 psig (5.17 barg)
125	125 psig (8.62 barg)

PMA:

Max. Allowable Pressure  
250 psig (17.2 barg) for "H" pattern traps  
125 psig (8.61 barg) for others

TMA:

Max. Allowable Temperature  
450°F (232°C)

Connections: 3/4"-2" NPT

Dimensions		Inches (mm)						Weight lbs (kg)
Model No.	Size	A	B	C	D	E	E1	
FTN-15, FTN-30	3/4	6.25 (159)	5.50 (140)	3.31 (84)	3.00 (76)	5.75 (146)	—	9 (4.1)
	1	6.25 (159)	5.50 (140)	3.31 (84)	3.00 (76)	5.75 (146)	—	9 (4.1)
	1 1/4	6.25 (159)	5.75 (146)	3.00 (76)	3.81 (97)	5.75 (146)	—	9 1/2 (4.3)
	1 1/2	8.50 (216)	4.25 (108)	3.00 (76)	0.70 (18)	—	8.40 (213)	18 (8.2)
	2	9.81 (249)	4.94 (123)	4.94 (123)	0.12 (3)	9.12 (232)	—	26 (11.8)
FTN-75, FTN-125 FTNA-75, FTNA-125	3/4	6.25 (159)	5.50 (140)	3.31 (84)	3.00 (76)	5.75 (146)	—	9 (4.1)
	1	6.25 (159)	5.50 (140)	3.31 (84)	3.00 (76)	5.75 (146)	—	9 (4.1)
	1 1/4	8.50 (216)	4.25 (108)	3.00 (76)	0.70 (18)	—	8.40 (213)	18 (8.2)
	1 1/2	8.50 (216)	4.25 (108)	3.00 (76)	0.70 (18)	—	8.40 (213)	18 (8.2)
	2	9.81 (249)	4.94 (123)	4.94 (123)	0.12 (3)	9.12 (232)	—	26 (11.8)

## MATERIALS OF CONSTRUCTION

Body & Cover . . . Cast Iron ASTM A126B  
All Internal . . . . . Stainless Steel  
Air Vent (FTN only) . . . . . Balanced Pressure,  
Welded Stainless Steel

Maximum Capacity—lbs/hr (10°F Below Saturation)																	
Trap	Size NPT	Orifice (in.)	Differential-PSIG (barg)														
			1/4 (.017)	1/2 (.034)	1 (.069)	2 (.138)	5 (.345)	10 (.690)	15 (1.03)	20 (1.38)	25 (1.72)	30 (2.07)	40 (2.76)	50 (3.45)	75 (5.17)	100 (6.90)	125 (8.62)
FTN-15	3/4"	.218	279	369	489	650	785	1000	1075								
FTN-15	1"	.218	279	369	489	650	785	1000	1075								
FTN-15	1 1/4"	.312	600	770	980	1240	1640	2000	2340								
FTN-15	1 1/2"	.500	1100	1700	2400	3300	5000	6600	7600								
FTN-15	2"	.625	2300	2800	3600	4650	6900	9000	10900								
FTN-30	3/4"	.218	279	369	489	650	785	1000	1075	1210	1300	1370					
FTN-30	1"	.218	279	369	489	650	785	1000	1075	1210	1300	1370					
FTN-30	1 1/4"	.228	375	500	690	910	1200	1500	1680	1800	1900	2000					
FTN-30	1 1/2"	.390	1000	1300	1700	2300	3400	4600	5500	6000	6600	7000					
FTN-30	2"	.500	1300	1800	2500	3400	5200	6800	7800	8600	9300	10000					
FTN-75 <sup>†</sup>	3/4"	.166	160	213	280	365	520	700	795	875	930	970	1120	1230	1450		
FTN-75 <sup>†</sup>	1"	.166	160	213	280	365	520	700	795	875	930	970	1120	1230	1450		
FTN-75 <sup>†</sup>	1 1/4"	.312	550	725	960	1300	1900	2650	3050	3400	3700	4000	4400	4750	5400		
FTN-75 <sup>†</sup>	1 1/2"	.312	550	725	960	1300	1900	2650	3050	3400	3700	4000	4400	4750	5400		
FTN-75 <sup>†</sup>	2"	.421	850	1100	1500	2000	3100	4150	4750	5200	5500	5800	6400	6800	7700		
FTN-125 <sup>†</sup>	3/4"	.125	100	135	175	230	330	415	500	585	620	685	750	830	970	1110	1190
FTN-125 <sup>†</sup>	1"	.125	100	135	175	230	330	415	500	585	620	685	750	830	970	1110	1190
FTN-125 <sup>†</sup>	1 1/4"	.246	400	520	680	890	1300	1700	2050	2300	2500	2700	3000	3200	3800	4200	4500
FTN-125 <sup>†</sup>	1 1/2"	.246	400	520	680	890	1300	1700	2050	2300	2500	2700	3000	3200	3800	4200	4500
FTN-125 <sup>†</sup>	2"	.332	550	675	880	1225	1950	2600	3000	3250	3500	3800	4200	4600	5500	6100	6600

For Kg/Hr Multiply by .454 †For FTNA capacities, multiply by 1.33.



## MAX-FLO

### SUPER HIGH CAPACITY FLOAT & THERMOSTATIC STEAM TRAPS

Pressures to 175 PSIG (12.1 barg)  
Temperatures to 377°F (192°C)

- High Capacities
- Rugged cast iron body and cover
- Stainless steel thermostatic element eliminates air binding
- Stainless steel float and lever mechanism
- Below condensate level seat design prevents steam leakage
- Resistant to water hammer and corrosion
- In-Line repairable

#### APPLICATIONS

- Very High Condensate Loads
- Continuous Drainage With High Air Venting Capacity Requirements
- Industrial And Commercial Applications
- Absorption Systems
- Air Handling Coils
- Heat Exchangers
- Dryers Evaporators
- Hot water Generators
- Rendering Machines
- Steam Process Equipment
- Air Make-up Coils
- Unit Heaters And Cooking Kettles

#### MODELS

- HC-15 - Steam pressures to 15 PSIG
- HC-30 - Steam pressures to 30 PSIG
- HC-75 - Steam pressures to 75 PSIG
- HC-125 - Steam pressures to 125 PSIG
- HC-175 - Steam pressures to 175 PSIG

*Installation Tip:* Always install STV Test & Block Valve as part of trap station  
SEE PAGE 120

*Installation Tip:* Add Uniflex Pipe Coupling for ease of maintenance  
SEE PAGE 102

#### OPERATION

During startup, air and non-condensable gases enter the trap and are automatically vented through an accurate balanced pressure internal thermostatic air vent. As condensate enters the trap, the float and lever mechanism is raised, lifting the valve off

the seat, discharging the condensate. Condensate will continue to be discharged at the same rate at which it is entering. Any air or non-condensable gas that may accumulate will be continually and efficiently passed by the thermostatic air vent.

# MAX-FLO

## SUPER HIGH CAPACITY FLOAT & THERMOSTATIC STEAM TRAPS

### SPECIFICATION

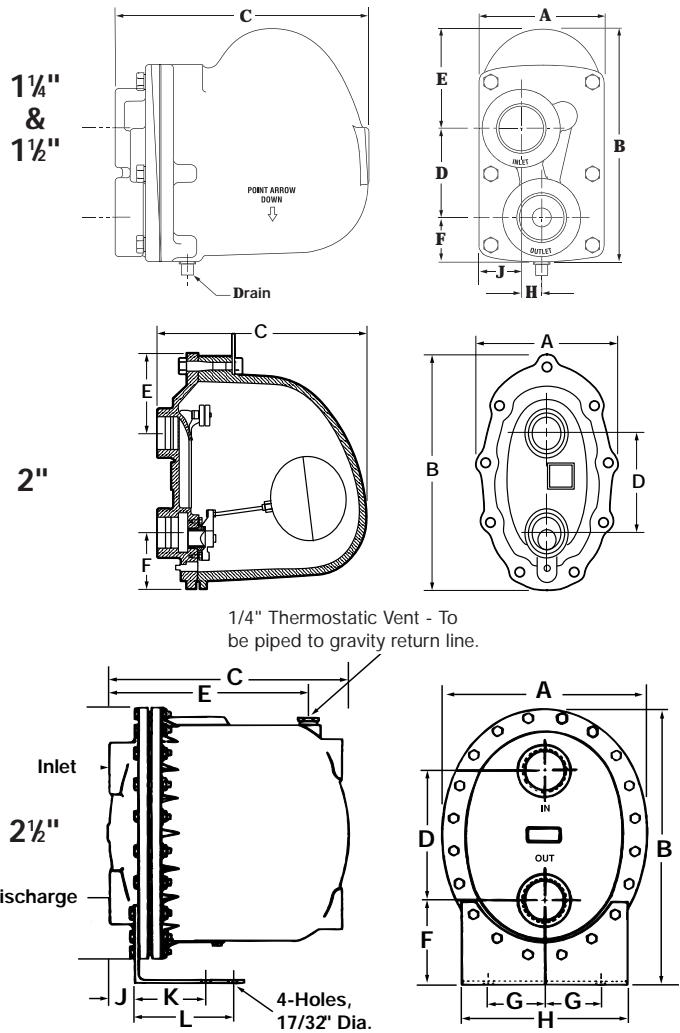
Steam trap shall be of float and thermostatic design. Float shall actuate the valve via a hinged lever and linkage. Air vent shall be of balanced pressure design with stainless steel welded encapsulated bellows capable of discharging air and noncondensable gases continuously. Trap shall be cast iron bodied suitable for pressures to 175 PSI and shall be a \_\_\_\_\_ NPT connection.

### MAXIMUM OPERATING CONDITIONS

PMO: Max. Operating Pressure see orifice selection  
 TMO: Max. Operating Temperature saturated at pressure  
 PMA: Max. Allowable Pressure 175 PSIG (12.1 barg)  
 PMA: Max. Allowable Pressure 377°F (192°C)

### MATERIALS OF CONSTRUCTION

Body & Cover . . . . .Cast Iron 30,000 psi tensile  
 Valve Pin and Seat . . . . .Stainless Steel (Hardened)  
 Float . . . . .Stainless Steel  
 Lever Assembly . . . . .Stainless Steel  
 Thermostatic Air Vent . . . . .Stainless Steel Cage & Thermal Element  
 Cover Bolts . . . . .Grade 5  
 Baffle . . . . .Stainless Steel (2-1/2 (65mm) units only)



Dimensions														Weight lbs (kg)
MODEL	NPT Size in. (mm)	A	B	C	D	E	F	G	H	J	K	L		
HC-175	1 1/4 & 1 1/2 (32 & 40)	4 1/2 (108)	8 5/8 (211)	8 3/8 (217)	3 (76)	3 3/8 (86)	2 (51)	-	4 5/8 (17.8)	1 3/8 (35)	-	-	18 (8)	
ALL	2 (50)	10 (254)	15 (381)	15 1/2 (394)	6 5/8 (168)	4 3/4 (121)	3 1/2 (89)	-	-	-	-	-	108 (49)	
ALL	2 1/2 (65)	14 1/2 (368)	20 1/4 (514)	17 3/8 (441)	9 1/2 (241)	14 1 5/8 (379)	6 1/4 (159)	5 (127)	12 (305)	1 5/8 (41)	4 1/2 (114)	7 (178)	175 (79)	

Maximum Capacity-lbs/hr																			
Trap	Orifice Max ΔP	Differential - PSIG (barg)																	
		1/4 (0.017)	1/2 (0.035)	1 (0.07)	2 (0.14)	5 (0.35)	10 (0.69)	15 (1.0)	20 (1.4)	25 (1.69)	30 (2.1)	40 (2.8)	50 (3.5)	60 (4.2)	75 (5.2)	100 (6.9)	125 (8.6)	150 (10.4)	175 (12.1)
HC-15, 2"	.970	6500	8000	9500	10800	15500	20900	24000											
HC-15, 2 1/2"	1.875	17000	20000	27000	36000	46000	55000	60000											
HC-30, 2"	.876	3400	4600	6400	8400	12500	16900	19000	21500	23590	24000								
HC-30, 2 1/2"	1.624	14000	17000	20900	25500	33200	40500	45500	49400	52700	55600								
HC-75, 2"	.858	2550	3150	4300	5450	7600	10400	11400	12500	13500	14250	15600	17150	18600	20500				
HC-75, 2 1/2"	1.031	5900	7700	10000	13000	18600	24200	28300	31600	34400	36800	41100	44800	48040	52300				
HC-125, 2"	.448	2300	2800	3450	4200	5450	6600	7450	8050	8600	8950	10350	11950	13400	15600	18850	21800		
HC-125, 2 1/2"	.797	4000	5300	6900	9100	13000	17100	20000	22400	24500	26300	29400	32100	34650	37600	42100	46000		
HC-175, 1 1/4"	.210	260	350	480	640	940	1190	1450	1560	1670	1750	1910	2040	2100	2300	2500	2900	3140	3240
HC-175, 1 1/2"	.210	260	350	480	640	940	119	1450	1560	1670	1750	1910	2040	2100	2300	2500	2900	3140	3240
HC-175, 2"	.375	2100	2600	3000	3500	4400	4900	5350	5800	6250	6700	7600	8600	9550	11000	13000	14750	16500	18000
HC-175, 2 1/2"	.688	2460	3350	4600	6200	9400	12800	15400	17500	19300	21000	23800	26300	28060	31600	35900	39700	43100	46200

For Kg/Hr Multiply by .454



FTE 10



FTE 14



FTE 43



FTE 44



FTE 44F

## FTE SERIES FLOAT & THERMOSTATIC STEAM TRAPS

Pressures to 485 PSIG (33 barg)  
Temperatures to 752°F (400°C)

- High Capacities
- Rugged cast iron, ductile iron or cast steel body and cover
- Stainless steel thermostatic element eliminates air binding
- Stainless steel float and lever mechanism
- Below condensate level seat design prevents steam leakage
- Resistant to water hammer and corrosion
- In-Line repairable
- Certain models allow for horizontal or vertical piping

### APPLICATIONS

- Very High Condensate Loads
- Continuous Drainage With High Air Venting Capacity Requirements
- Industrial And Commercial Applications
- Absorption Systems
- Air Handling Coils
- Heat Exchangers
- Dryers Evaporators
- Hot water Generators
- Rendering Machines
- Steam Process Equipment
- Air Make-up Coils
- Unit Heaters And Cooking Kettles

### OPTIONS

- BSPT Threaded connection
- S-SLR Orifice
- Socket Weld connection on FTE-44
- Flanged connections
  - ANSI 125/150, 300, 600
  - DIN 10, 16, 25 or 40
  - BS10 - F, H, J, K or R
- Vacuum Breaker

### OPERATION

During startup, air and non-condensable gases enter the trap and are automatically vented through an accurate balanced pressure internal thermostatic air vent. As condensate enters the trap, the float and lever mechanism is raised,

### MODELS

#### CAST IRON BODY

- FTE-10 – To 200 PSIG Threaded Connections
- FTE-43 – To 200 PSIG Flanged Connections

#### DUCTILE IRON BODY

- FTE-14 – To 200 PSIG Threaded Connections

#### CAST STEEL BODY

- FTE-44 – To 465 PSIG Threaded/Socket Weld Connections
- FTE-44F – To 465 PSIG Flanged Connections

*Installation Tip:* Always install STV Test & Block Valve as part of trap station  
SEE PAGE 120

*Installation Tip:*  
Add Uniflex Pipe Coupling for ease of maintenance on NPT Traps  
SEE PAGE 102

lifting the valve off the seat, discharging the condensate. Condensate will continue to be discharged at the same rate at which it is entering. Any air or non-condensable gas that may accumulate will be continually and efficiently passed by the thermostatic air vent.

# FTE SERIES

## FLOAT & THERMOSTATIC STEAM TRAPS

### SPECIFICATION

Steam trap shall be of float and thermostatic design. Float shall actuate the valve via a hinged lever and linkage. Air vent shall be of balanced pressure design with stainless steel welded encapsulated bellows capable of discharging air and noncondensable gases continuously. Trap shall be \_\_\_\_\_ bodied suitable for pressures to \_\_\_\_\_ PSI and shall be a \_\_\_\_\_ connection.

### MAXIMUM OPERATING CONDITIONS

#### CAST IRON/DUCTILE IRON

PMO: Max. Operating Pressure see orifice selection  
 TMO: Max. Operating Temperature saturated at pressure  
 PMA: Max. Allowable Pressure 220 psig (15 barg)  
 TMA: Max. Allowable Temperature 500°F (260°C)

#### CAST STEEL

PMO: Max. Operating Pressure see orifice selection  
 TMO: Max. Operating Temperature saturated at pressure  
 PMA: Max. Allowable Pressure 485 psig (33 barg)  
 TMA: Max. Allowable Temperature 752°F (400°C)

### MATERIALS OF CONSTRUCTION

Body & Cover .....Cast Iron (ASTM A48 Cl. 30)  
   Ductile Iron (DIN 1693 GGG 40)  
   Cast Steel (ASTM A216 Gr. WCB)  
 Valve .....Stainless Steel 304 (up to 1")  
   Stainless Steel 410 (1½", 2")  
 Valve Seat.....Stainless Steel 410  
 Housing & Housing Cover  
 for Float Mechanism .....ASTM A743 Gr. CA 40  
   (Investment Cast)  
 Float .....Stainless Steel 304  
 Lever Assembly .....Stainless Steel 304  
 Thermostatic Airvent .....Stainless Steel 304  
 Cover Bolts .....SAE Gr. 5 (FTE 10, 14, 43)  
   EN4014 8.8 (FTE 44/44F 1/2" & 3/4")  
   EN4014 10.9 (FTE 44/44F 1"- 2")

**Connections:**  
 1/2" – 2" NPT, Flanged or Socket Weld

### Maximum Capacity—lbs/hr (10°F Below Saturation)

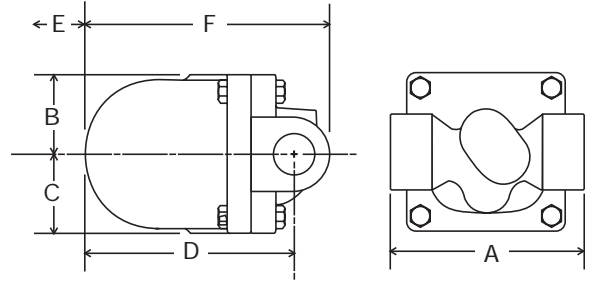
Trap	Size inlet	Orifice (in.)	Max ΔP		Differential Pressure-PSIG (barg)															
			BAR	PSI	5 (.345)	10 (.690)	20 (1.38)	40 (2.76)	50 (3.45)	65 (4.50)	80 (5.52)	100 (6.90)	125 (8.62)	145 (10.0)	180 (12.4)	200 (13.8)	300 20.7	400 27.6	465 32.1	
FTE-10, 14, & 43	1/2 & 3/4	0.142	4.5	65	400	520	700	950	1000	1150										
		0.095	10.0	145	275	380	530	720	800	900	1000	1080	1250	1380						
		0.079	14.0	200	200	290	400	570	640	700	800	900	1020	1100	1240	1300				
FTE-10, 14, & 43	1	0.256	4.5	65	1650	2200	3050	4200	5000	5200										
		0.17	10.0	145	870	1250	1650	2350	2600	3000	3200	3500	3900	4100						
		0.142	14.0	200	640	800	1250	1600	1800	2000	2200	2550	2780	2900	3020	3100				
FTE-10 & 43	1½	0.689	4.5	65	4200	6000	8800	12500	13500	15000										
		0.571	10.0	145	2800	3900	5600	8000	9000	10000	11500	13000	14200	15000						
		0.531	14.0	200	1800	2600	3600	5000	5450	6000	6900	7800	8600	9000	9650	10000				
FTE-10 & 43	2	1.063	4.5	65	13500	19800	28000	40000	45000	50500										
		0.811	10.0	145	7300	10000	14500	20000	22500	26000	29000	32000	35000	40000						
		0.657	14.0	200	3500	5000	6800	9600	10500	12000	13500	15000	16500	17500	19000	20000				
FTE-44 & 44F	1/2 & 3/4	0.142	4.5	65	400	520	700	950	1000	1150										
		0.095	10.0	145	275	380	530	720	800	900	1000	1080	1250	1380						
		0.079	14.0	200	200	290	400	570	640	700	800	900	1020	1100	1240	1300				
		0.07	21.0	300	110	145	200	280	315	350	400	430	480	520	580	610	700			
		0.063	32.0	465	65	90	120	155	170	200	215	250	280	300	325	345	400	425	440	
		0.095	32.0	465	275	380	530	720	800	900	1000	1080	1250	1380	1440	1500	1800	2000	2050	
FTE-44 & 44F	1	0.256	4.5	65	1650	2200	3050	4200	5000	5200										
		0.17	10.0	145	870	1250	1650	2350	2600	3000	3200	3500	3900	4100						
		0.142	14.0	200	640	800	1250	1600	1800	2000	2200	2550	2780	2900	3020	3100				
		0.114	21.0	300	400	520	700	950	1000	1150	1600	1850	2020	2150	2350	2500	2800			
		0.095	32.0	465	275	380	530	720	800	900	1000	1080	1250	1380	1440	1500	1800	2000	2050	
		0.095	32.0	465	1650	2200	3050	4200	5000	5200	6000	6900	7800	8600	9000	9650	10000			
FTE-44 & 44F	1½	0.689	4.5	65	4200	6000	8800	12500	13500	15000										
		0.571	10.0	145	2800	3900	5600	8000	9000	10000	11500	13000	14200	15000						
		0.531	14.0	200	1800	2600	3600	5000	5450	6000	6900	7800	8600	9000	9650	10000				
		0.531	21.0	300	1800	2600	3600	5000	5450	6000	6900	7800	8600	9000	9650	10000	13000			
		0.531	32.0	465	1800	2600	3600	5000	5450	6000	6900	7800	8600	9000	9650	10000	13000	14300	15000	
		0.531	32.0	465	1650	2200	3050	4200	5000	5200	6000	6900	7800	8600	9000	9650	10000	13000	14300	15000
FTE-44 & 44F	2	1.063	4.5	65	13500	19800	28000	40000	45000	50500										
		0.811	10.0	145	7300	10000	14500	20000	22500	26000	29000	32000	35000	40000						
		0.657	14.0	200	3500	5000	6800	9600	10500	12000	13500	15000	16500	17500	19000	20000				
		0.657	21.0	300	3500	5000	6800	9600	10500	12000	13500	15000	16500	17500	19000	20000	27000			
		0.657	32.0	465	3500	5000	6800	9600	10500	12000	13500	15000	16500	17500	19000	20000	27000	29800	31000	
		0.657	32.0	465	13500	19800	28000	40000	45000	50500	6000	6900	7800	8600	9000	9650	10000	13000	14300	15000

For Kg/Hr Multiply by .454

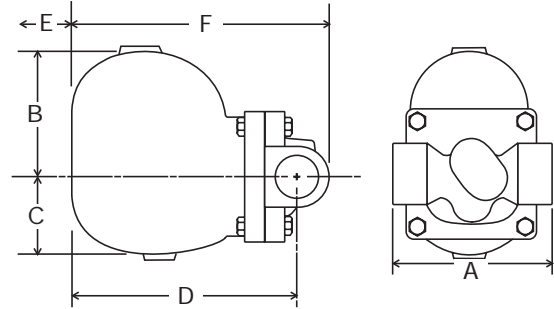
# SERIES FTE DIMENSIONS

## DIMENSIONS inches (mm) AND WEIGHTS pounds (kg) SERIES FTE-10

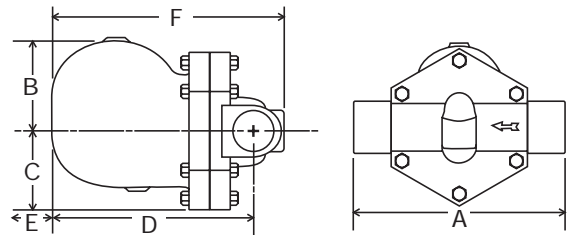
Size	Inches (mm)						Weight lbs(kg)
	A	B	C	D	E	F	
1/2	5 <sup>1</sup> / <sub>16</sub> (128)	2 <sup>1</sup> / <sub>8</sub> (54)	2 <sup>1</sup> / <sub>8</sub> (54)	5 <sup>1</sup> / <sub>16</sub> (145)	4 <sup>5</sup> / <sub>16</sub> (110)	6 <sup>1</sup> / <sub>16</sub> (170)	10.5 (4.8)
3/4	5 <sup>1</sup> / <sub>16</sub> (128)	2 <sup>1</sup> / <sub>8</sub> (54)	2 <sup>1</sup> / <sub>8</sub> (54)	5 <sup>1</sup> / <sub>16</sub> (145)	4 <sup>5</sup> / <sub>16</sub> (110)	6 <sup>1</sup> / <sub>16</sub> (170)	10.5 (4.8)
1	5 <sup>1</sup> / <sub>16</sub> (128)	4 <sup>5</sup> / <sub>16</sub> (110)	2 <sup>1</sup> / <sub>8</sub> (75)	7 <sup>1</sup> / <sub>2</sub> (190)	6 <sup>5</sup> / <sub>16</sub> (160)	8 <sup>1</sup> / <sub>2</sub> (216)	18.7 (8.5)
1 <sup>1</sup> / <sub>2</sub>	11 (280)	5 (127)	4 <sup>5</sup> / <sub>16</sub> (110)	10 (254)	7 <sup>1</sup> / <sub>8</sub> (200)	11 <sup>1</sup> / <sub>8</sub> (289)	49.5 (22.5)
2	12 <sup>1</sup> / <sub>8</sub> (308)	5 <sup>1</sup> / <sub>2</sub> (140)	5 (127)	10 <sup>1</sup> / <sub>4</sub> (260)	7 <sup>1</sup> / <sub>8</sub> (200)	11 <sup>1</sup> / <sub>8</sub> (300)	61.6 (28.0)



FTE-10 CAST IRON 1/2" & 3/4"



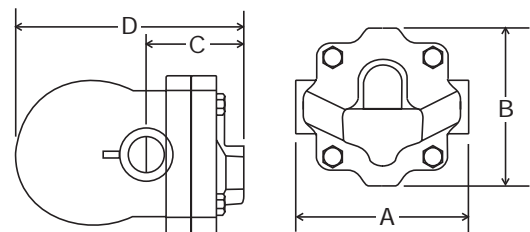
FTE-10 CAST IRON 1"



FTE-10 CAST IRON 1<sup>1</sup>/<sub>2</sub>" & 2"

## DIMENSIONS inches (mm) AND WEIGHTS pounds (kg) SERIES FTE-14

Size	Inches (mm)				Weight lbs. (kg)
	A	B	C	D	
1/2	4 <sup>3</sup> / <sub>4</sub> (121)	4 <sup>1</sup> / <sub>4</sub> (108)	2 <sup>5</sup> / <sub>8</sub> (67)	5 <sup>1</sup> / <sub>16</sub> (148)	7.9 (3.6)
3/4	4 <sup>3</sup> / <sub>4</sub> (121)	4 <sup>1</sup> / <sub>4</sub> (108)	2 <sup>5</sup> / <sub>8</sub> (67)	5 <sup>1</sup> / <sub>16</sub> (148)	7.9 (3.6)
1	5 <sup>1</sup> / <sub>16</sub> (145)	4 <sup>1</sup> / <sub>4</sub> (108)	3 (76)	6 <sup>5</sup> / <sub>16</sub> (167)	10.1 (4.6)



FTE-14-DUCTILE IRON 1/2", 3/4" & 1"

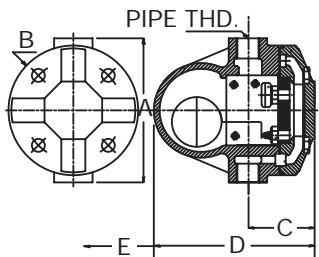
# SERIES FTE DIMENSIONS

**DIMENSIONS** inches (mm) **AND WEIGHTS** pounds (kg)

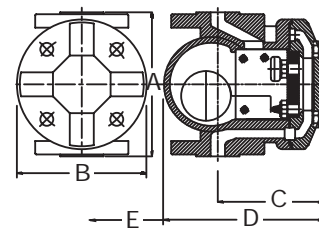
## SERIES FTE-43/44/44F

Size	Inches (mm)					Weight lbs. (kg)	
	A	B	C	D	E	FTE 43/44F	FTE 44
1/2 & 3/4 FTE 43	5 <sup>1</sup> / <sub>8</sub> (150)	2 <sup>1</sup> / <sub>8</sub> (54)	2 <sup>1</sup> / <sub>8</sub> (54)	7 <sup>1</sup> / <sub>2</sub> (190)	4 <sup>3</sup> / <sub>8</sub> (110)	16 (7.3)	—
1/2 & 3/4 FTE 44/44F	4 <sup>1</sup> / <sub>8</sub> (113)	5 <sup>3</sup> / <sub>8</sub> (135)	2 <sup>3</sup> / <sub>8</sub> * (71)*	6 <sup>5</sup> / <sub>8</sub> (169)	5 <sup>1</sup> / <sub>4</sub> (134)	16 (7.3)	13 (5.8)
1	6 <sup>1</sup> / <sub>8</sub> (160)	4 <sup>3</sup> / <sub>8</sub> (110)	2 <sup>3</sup> / <sub>8</sub> (75)	9 <sup>1</sup> / <sub>8</sub> (245)	6 <sup>1</sup> / <sub>8</sub> (160)	25.3 (11.5)	17.6 (8.0)
1 <sup>1</sup> / <sub>2</sub>	9 <sup>1</sup> / <sub>8</sub> (230)	5 (127)	4 <sup>3</sup> / <sub>8</sub> (110)	13 <sup>1</sup> / <sub>8</sub> (333)	7 (200)	61.6 (28.0)	48.4 (22.0)
2	9 <sup>1</sup> / <sub>8</sub> (230)	5 <sup>1</sup> / <sub>2</sub> (140)	5 (127)	13 <sup>1</sup> / <sub>2</sub> (343)	7 (200)	74.8 (34.0)	69.4 (27.0)

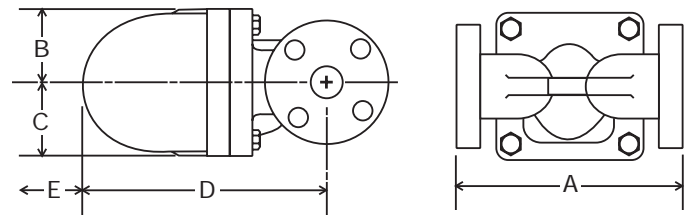
\* FTE44F is 4-7/16" (113mm)



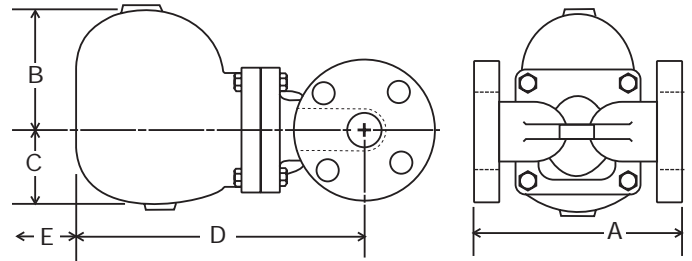
FTE-44 CAST STEEL 1/2" & 3/4"



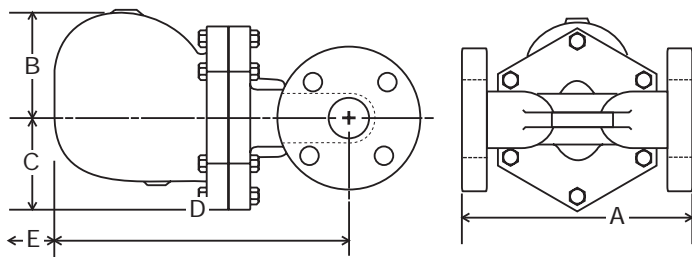
FTE-44F CAST STEEL 1/2" & 3/4"



FTE-43 DUCTILE IRON 1/2" & 3/4"



FTE-43 DUCTILE IRON 1"  
FTE 44/44F CAST STEEL 1"



FTE-43 DUCTILE IRON 1"  
FTE 44/44F CAST STEEL 1"