



P-PT

INDUSTRIAL STAINLESS STEEL FILTER HOUSINGS

Process Filtration

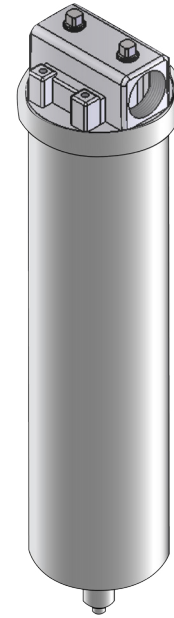
Industrial stainless steel filter housings for water and corrosive liquids.

Donaldson® P-PT single round filter housings are designed for industrial applications that require 316 SS construction. The single nut closure provides a positive radial seal and easy element replacement. The T-style in-line orientation allows for easy installation.

Available in NPT, Flange, Tri-Clamp®* and welded end connection types.

Standard housings are built to accept Code 7 and 2 elements. Housings are also available in DOE, Code 3 and Code 8 filter elements.

A broad selection of filter elements are available to meet the compatibility and micron rating requirements of your process.



P-PT

APPLICATIONS

- Petrochemicals
- Solvents
- Process water
- Potable liquids
- Coolants
- Industrial water

* Tri-Clamp is a registered trademark of Ladish Company.

SPECIFICATIONS

MATERIALS ¹	
Filter Head	316L SS
Sealing Nut	Nickle plated brass
Filter Bowl	316L SS
Housing Gasket	EPDM (also available in Viton [®] *, Buna and silicone)

¹DOE housings are also available in 304/Brass.
Contact your Donaldson Representative for alternative material options.

SURFACE FINISH	
CODE 2, 7, 3, 8 HOUSINGS	DOE HOUSINGS
Filter head - Bead blast, cast stainless steel	Filter head - Bead blast, cast stainless steel
Filter bowl - Industrial electropolished	Filter bowl - Polished

ELEMENTS
Standard in Code 7/Code 2 connection. Contact your Donaldson Representative for Code 3 and Code 8 elements. DOE housing designs are also available upon request.

* Viton is a registered trademark of DuPont PerformanceElastomers L.L.C.
** Tri-Clamp is a registered trademark of Ladish Company.

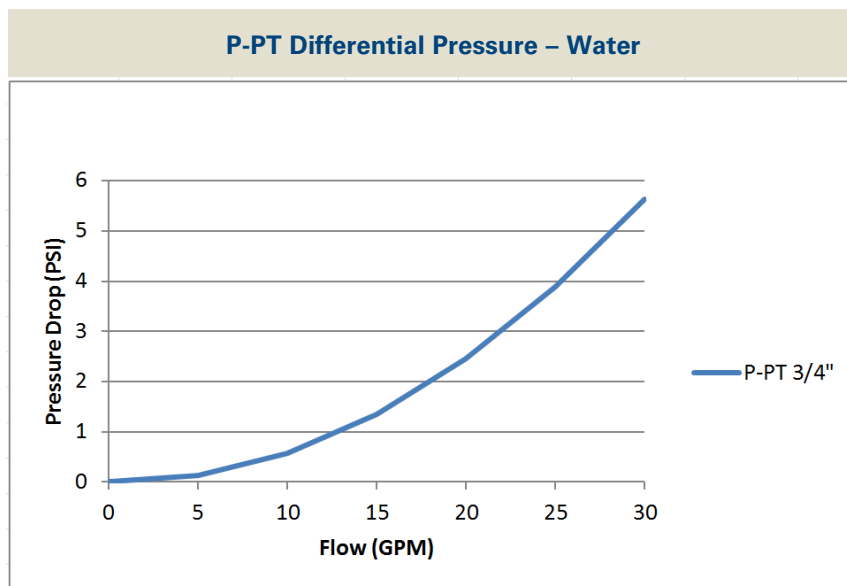
DESIGN PRESSURE AND TEMPERATURE	
NPT	300 psi @ 200°F
Flange, Tri-Clamp ^{®**} , and Welded End	150 psi @ 200°F

CONNECTION TYPES	
CODE 2, 7, 3, 8 HOUSINGS	DOE HOUSINGS
3/4" and 1" NPT	3/4", 1/2" and 1" NPT, 1" Flange, 1" Tri-Clamp [®]
1" Flange	1" Flange
1" Tri-Clamp [®]	1" Tri-Clamp
1" Welded End	

DRAIN	
CODE 2, 7, 3, 8 HOUSINGS	DOE HOUSINGS
1/4" NPT drain w/plug	1/8" NPT drain w/plug

INLET AND OUTLET GAUGE PORTS
1/4" FNPT gauge ports, plugged

ACCESSORIES INCLUDED
Nut closure tool and mounting brackets are included with the housing.



NPT Housings – 316L SS

Model Number	Capacity (gpm)	Connection (FNPT)	Dimensions (inches)				Approx. Weight w/o Element (lbs)	Element	
			Code 2, 7, 3, 8		DOE			Size	Qty
			Height A	Width B	Height A	Width B			
P-PT 0007	7	3/4"	17.4	3.5	13.6	3.5	7	10/30	1
P-PT 0007	7	1"	17.4	3.5	13.6	3.5	7	10/30	1
P-PT 0014	14	3/4"	27.4	3.5	23.6	3.5	9	20/30	1
P-PT 0014	14	1"	27.4	3.5	23.6	3.5	9	20/30	1
P-PT 0021	21	3/4"	37.4	3.5	33.6	3.5	12	30/30	1
P-PT 0021	21	1"	37.4	3.5	33.6	3.5	12	30/30	1

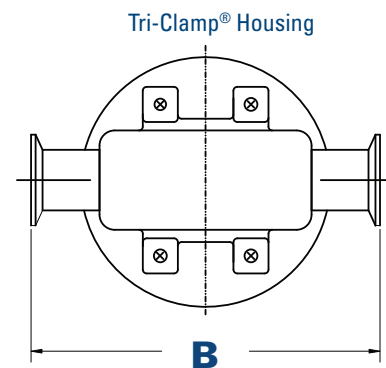
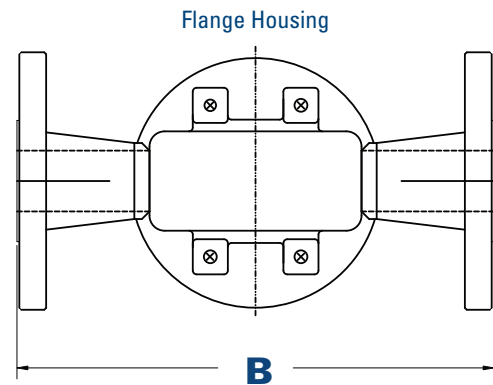
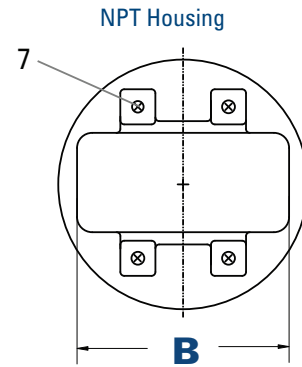
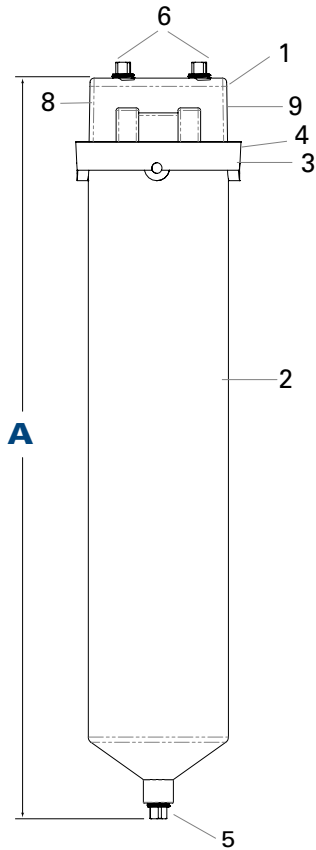
Flange Housings – 316L SS

Model Number	Capacity (gpm)	Connection (FNPT)	Dimensions (inches)				Approx. Weight w/o Element (lbs)	Element	
			Code 2, 7, 3, 8		DOE			Size	Qty
			Height A	Width B	Height A	Width B			
P-PT 0007	7	1"	27.4	7.8	23.6	7.9	11	10/30	1
P-PT 0014	14	1"	27.4	7.8	23.6	7.9	13	20/30	1
P-PT 0021	21	1"	37.4	7.8	33.6	7.9	16	30/30	1

Tri-Clamp® Housings – 316L SS

Model Number	Capacity (gpm)	Connection (FNPT)	Dimensions (inches)				Approx. Weight w/o Element (lbs)	Element	
			Code 2, 7, 3, 8		DOE			Size	Qty
			Height A	Width B	Height A	Width B			
P-PT 0007	7	1"	17.4	5.7	13.6	5.7	8	10/30	1
P-PT 0014	14	1"	27.4	5.7	23.6	5.7	10	20/30	1
P-PT 0021	21	1"	37.4	5.7	33.6	5.7	13	30/30	1

DIMENSIONS



No.	Description
1	Head
2	Bowl
3	Locking ring
4	Housing gasket
5	Drain
6	Gauge port
7	Mounting holes (1/4" - 20 x 3/8" deep)
8	Inlet
9	Outlet

Important Notice

Many factors beyond the control of Donaldson can affect the use and performance of Donaldson products in a particular application, including the conditions under which the product is used. Since these factors are uniquely within the user's knowledge and control, it is essential the user evaluate the products to determine whether the product is fit for the particular purpose and suitable for the user's application. All products, specifications, availability and data are subject to change without notice, and may vary by region or country.



Donaldson Company, Inc.
 Process Filtration
 PO Box 1299
 Minneapolis, MN
 55440-1299 U.S.A.

Tel 800-543-3634 (USA)
 Tel 800-343-3639 (within Mexico)
 Fax 952-885-4791
 processfilters@donaldson.com
 donaldsonprocessfilters.com



P-PT Industrial Stainless Steel Filter Housings (01/17)

© 2015 Donaldson Co., Inc. All Rights Reserved. Donaldson and the color blue are marks of Donaldson Company, Inc. All other marks belong to their respective owners.
 {Contains Donaldson proprietary technology.}