

The 068 Series 16 mm wide flapper isolation valve is designed to control the flow of neutral or aggressive fluids. The 068 Series offers the following benefits:

- Create separation between the solenoid and fluid
- Excellent self-draining capability and easy-to-flush internal cavity
- "Flapper" mechanism yields no pumping or sticking effect

Construction

Valve Wetted Parts	
Body	PEEK
Diaphragm	FFKM, EPDM, FKM

Electrical

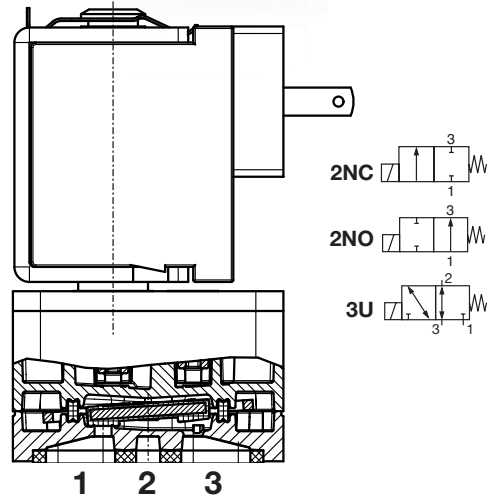
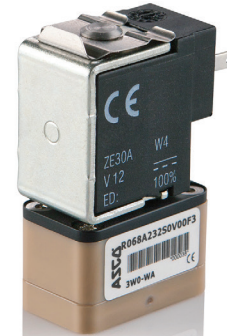
Standard Voltages	12 VDC, 24 VDC
Coil Insulation	311°F (155°C)
Power Consumption	4 W
Duty Cycle	Consult ASCO
Electrical Connection	DIN Spade Connectors, 24AWG Hardwire
DIN Connector	Size 2.8 mm x 0.5 mm, DIN 46340

Valve

Response Time	< 20 ms
Internal Volume	< 75µl (connections not included)
Maximum Viscosity of Fluid	20 cSt (mm ² /s)

Alternate Construction Options

Many alternate constructions/options are available, including power save circuit. Minimum quantities apply.



Temperature Range:

Ambient:
41°F to 122°F (5°C to 50°C)

Media:
41°F to 122°F (5°C to 50°C)

Approvals:

Meets Applicable CE directives

Specifications

Port Type	Orifice Size in (mm)	Cv Flow Factor	Operating Pressure		Catalog No.	Power (Watts)
			Vac. in Hg (bar)	Max. psi (bar)		
2/2 NC - Normally Closed						
Pad Mount	0.031 (0.8)	0.017	26 (0.9)	116 (8)	R068A212xxx00xx	4
	0.047 (1.2)	0.042	26 (0.9)	58 (4)	R068A214xxx00xx	4
	0.063 (1.6)	0.063	26 (0.9)	29 (2)	R068A216xxx00xx	4
2/2 NO - Normally Open						
Pad Mount	0.031 (0.8)	0.017	26 (0.9)	116 (8)	R068A222xxx00xx	4
	0.047 (1.2)	0.042	26 (0.9)	58 (4)	R068A224xxx00xx	4
	0.063 (1.6)	0.063	26 (0.9)	29 (2)	R068A226xxx00xx	4
3/2 U - Universal Operation						
Pad Mount	0.031 (0.8)	0.017	26 (0.9)	116 (8)	R068A232xxx00xx	4
	0.047 (1.2)	0.042	26 (0.9)	58 (4)	R068A234xxx00xx	4
	0.063 (1.6)	0.063	26 (0.9)	29 (2)	R068A236xxx00xx	4
1/4-28 UNF	0.031 (0.8)	0.017	26 (0.9)	116 (8)	0068A232xxx00xx	4
	0.047 (1.2)	0.042	26 (0.9)	58 (4)	0068A234xxx00xx	4
	0.063 (1.6)	0.063	26 (0.9)	29 (2)	0068A236xxx00xx	4
Hose Barb	0.031 (0.8)	0.017	26 (0.9)	116 (8)	6068A232xxx00xx	4
	0.047 (1.2)	0.042	26 (0.9)	58 (4)	6068A234xxx00xx	4
	0.063 (1.6)	0.063	26 (0.9)	29 (2)	6068A236xxx00xx	4

Catalog Number Description and Options

R068A212	xx	x	00	xx
Catalog Number	Electrical Connection S0 = Spade Terminals Without Connector L0 = Flying Leads, 19.7" Long	Seal Material 1 = FFKM V = FKM E = EPDM	Catalog Number	Voltage F1 = 24 VDC F3 = 12 VDC

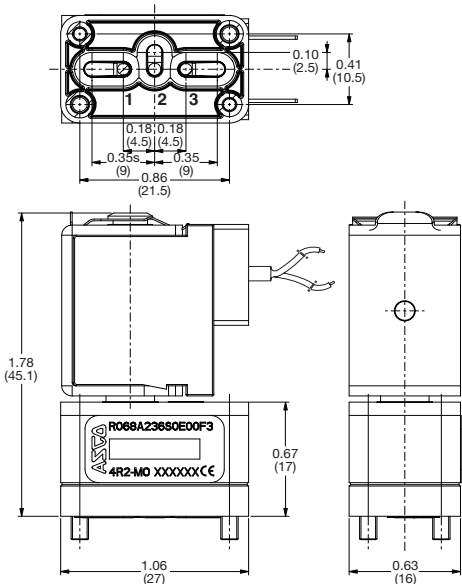
Examples

R068A212S0100F1 = 2-Way normally closed valve with 0.031" (0.8 mm) orifice, pad mount body with spade terminals, FFKM seals, and 24 VDC coil

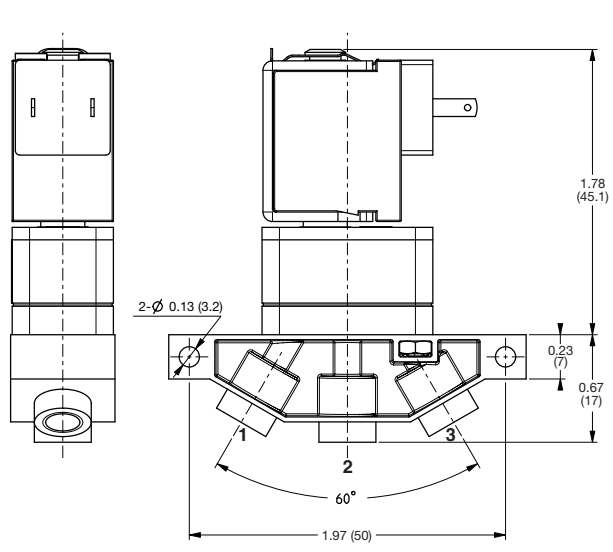
6068A236L0E00F3 = 3-Way valve with 0.063" (1.6 mm) orifice, hose barb body with lead wires, EPDM seals, and 12 VDC coil

Dimensions: Inches (mm)

**Port Type: Pad Mount
Weight: 1.66 oz (47g)**

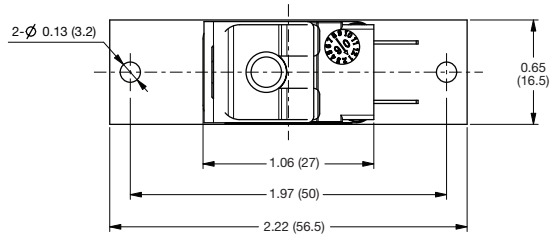
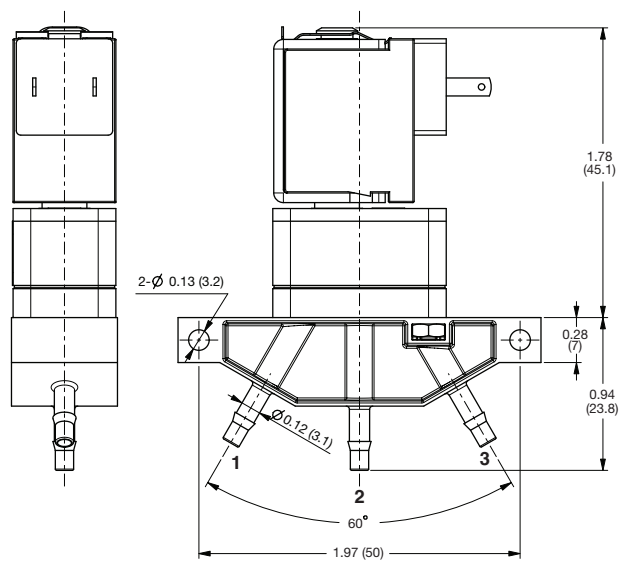


**Port Type: 1/4-28 UNF
Weight: 1.87 oz (53g)**



Note: 2 hexagon socket head cap mounting screws M2.5, 1.5 mm across flats, stainless steel, supplied

**Port Type: Hose Barb
Weight: 1.87 oz (53g)**



Subbase Mounting Pattern

