

## Features

- Unit consisting of 2 air operated valves for temperature control applications in automated wine processing plants designed as a feed or return flow module
- Inlet/outlet orifice for G 3/4" exchanger
- Pneumatic connection with incorporated 4 x 6 mm instant fitting
- Optical position indicator on valve operator
- Symmetrical valves capable of rotation in 180° increments for individual mounting position to allow for different placement of an isolation valve or a G3/4 orifice
- The 2-valve module can be mounted in any position without affecting operation
- Certified for use in wine production with no risk of contamination of products in contact with valve (French EXCELL Laboratory green label certification)

## Construction

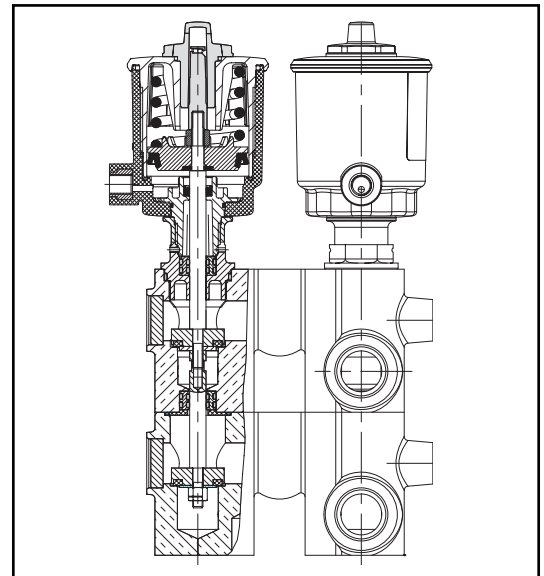
| Valve Parts in Contact with Fluids |                               |
|------------------------------------|-------------------------------|
| Valve Body                         | Brass, nickel-plated          |
| Stuffing Box Body                  | Polyamide, glass-fibre filled |
| Stem                               | Stainless Steel               |
| Disc                               | Brass                         |
| Stuffing Box Seal                  | PTFE Chevrons                 |
| Disc Seal                          | PTFE                          |
| Other Materials                    |                               |
| Operator                           | PA, glass-fibre filled        |
| Optical Position Indicator         | PA 12                         |

## General Specifications

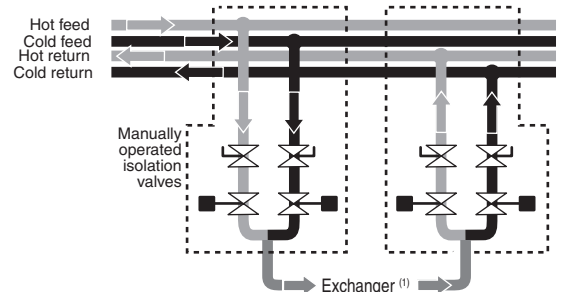
- Differential pressure:** 0-145 psi (0-10 bar)  
**Maximum allowable pressure:** 232 psi (16 bar)  
**Ambient temperature range:** 14°F to 140°F (-10°C to 60°C)  
**Maximum viscosity:** 600 cSt (mm<sup>2</sup>/s)  
**Pilot fluid:** Filtered air  
**Max. pilot pressure:** 145 psi (10 bar)  
**Min. pilot pressure:** See next page  
**Pilot fluid temperature:** 14°F to 140°F (-10°C to 60°C)

| Fluids (*)                  | Temperature Range             | Seal Materials (*) |
|-----------------------------|-------------------------------|--------------------|
| Water, Liquids groups 1 & 2 | 14°F to 140°F (-10°C to 60°C) | PTFE               |

\* Ensure that the compatibility of the fluids in contact with the materials is verified



SPECIAL SERVICE VALVES



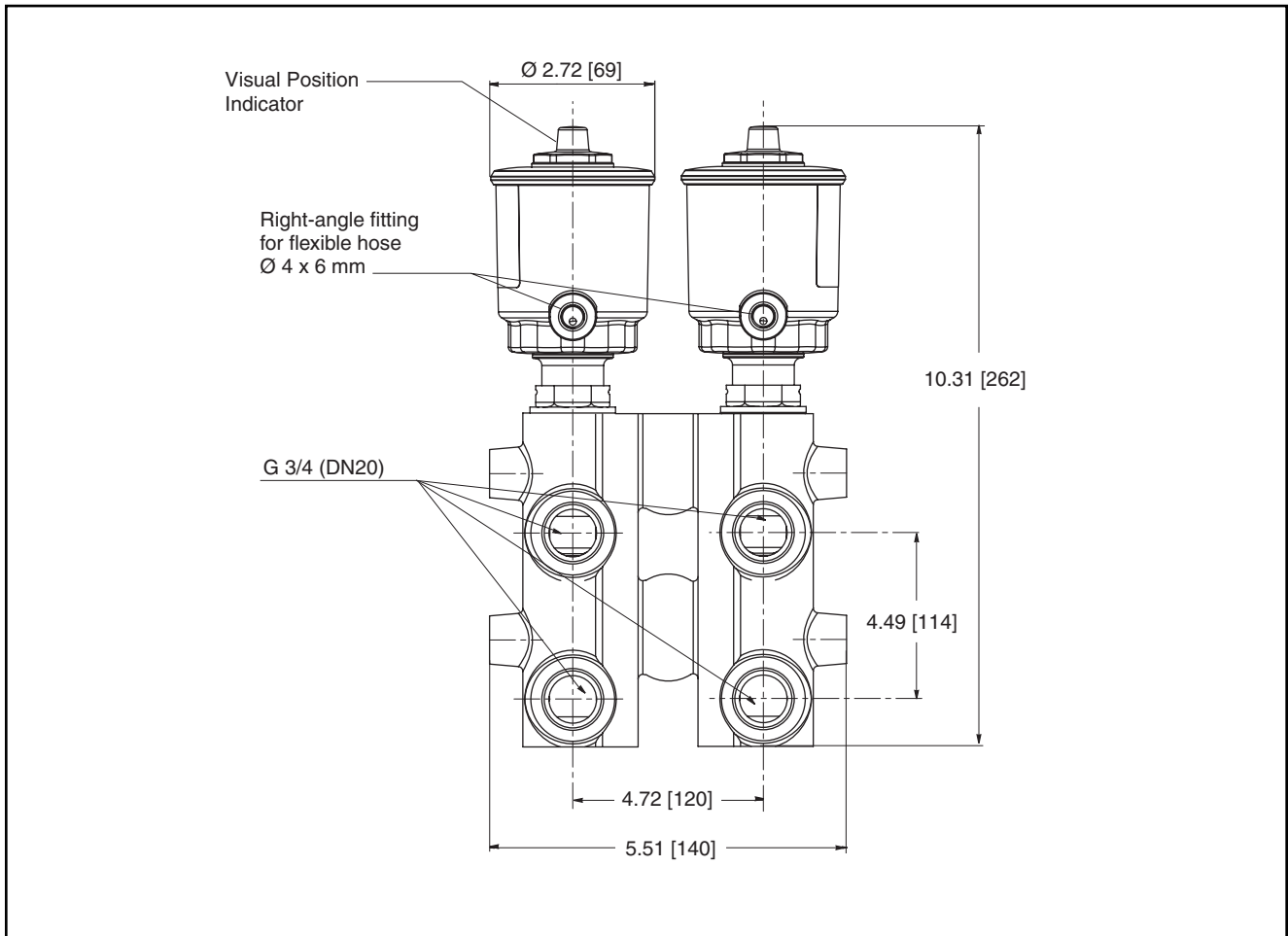
**Specifications English units (Metric)**

| Pipework (ISO 6708)                           |    | Cv Flow (Kv = m <sup>3</sup> /h) | Pilot Pressure psi (bar) |          | Operating Pressure Differential psi (bar) |                | Operator Diameter mm | Catalog Number with Visual Position Indicator |
|---|----|----------------------------------|--------------------------|----------|---|----------------|----------------------|---|
| Pipe Size (in)                                | DN |                                  | Min.                     | Max.     | Min.                                      | Max.           |                      |   |
|   |    |                                  |                          |          |   | Water, Liquids |                      |   |
| <b>Normally Closed - Entry Under the Disc</b> |    |                                  |                          |          |   |                |                      |   |
| 3/4   | 20 | 5.6 (4.8)                        | 72.5 (5)                 | 145 (10) | 0   | 145 (10)       | 50                   | 29060066                                      |

**Installation**

- The valves can be mounted in any position without affecting operation
- Pipe connection identifier is: G = G (ISO 228/1)
- Installation/maintenance instructions are included with each 2-valve module

**Dimensions inches (mm)**



**SPECIAL SERVICE VALVES**